


SP 015 PT

MODEL SPIDOGLOSS SP015PT	<ul style="list-style-type: none"> • Transparent smooth surfaces 	<ul style="list-style-type: none"> • Max. temperature 400° C
	<ul style="list-style-type: none"> • Manual Control 	<ul style="list-style-type: none"> • Glass ceramic



DESCRIPTION

Professional Contact Cooking System with Glass Ceramic plates, suitable for cooking a wide array of different foods, as such: toast, sandwich, meat, fish, vegetables, eggs, etc. High quality cooking result thanks to heat distribution uniformity and use of shock resistance, non-stick, non-porous and impermeable to smells and tastes Glass Ceramic Cooking Surfaces.

High versatility of use thanks to **SHB™ Plus** technology which allows combined heating (contact + infrared) and high cooking Temperature setting.

Up to 60% saving in Preheating Time thanks to **SHB™ Plus**. Up to 60% saving in Energy consumption thanks to the **Protek.Safe™** high efficiency insulation system which eliminates unnecessary energy loss.

STANDARD COOKING FEATURES

SETTINGS:


- Manual Control
- Temperature set: 120° C - 400° C

ACCESSORIES

- **METAL SCRAPER**
Metallic scraper for Glass Ceramic Surfaces (included)
- **SPIDO CLEAN SPRAY DETERGENT**
750 ml Spray Detergent for Glass Ceramic and Steel Surfaces (to be purchased separately)

STANDARD TECHNICAL FEATURES

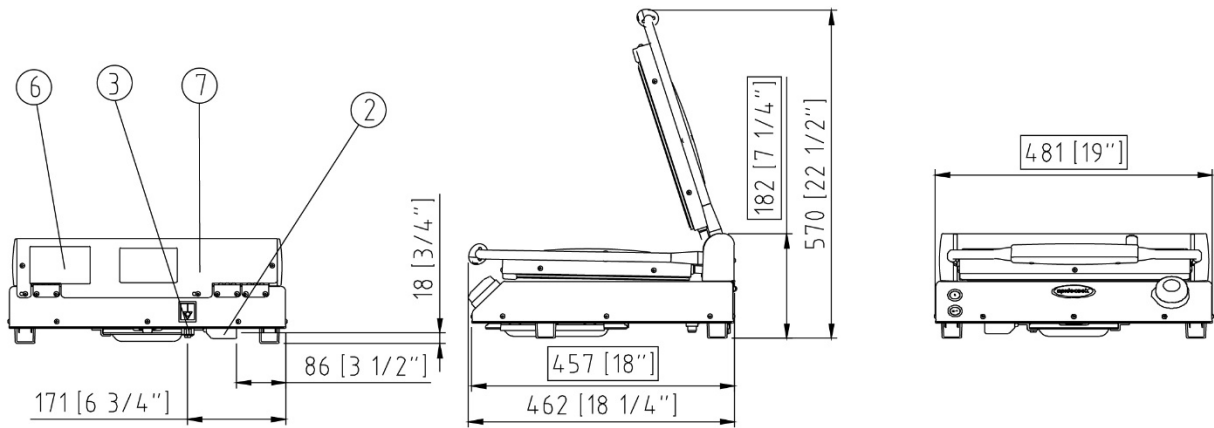
- **Single Transparent Smooth Glass Ceramic cooking plate:**
n°1 300x400 mm
- Stainless Steel Case
- Ergonomic Handle
- Self-locking Handle Bracket
- 4 Non-Slip Feets
- Removable Dip Tray
- ON/OFF button and LED light



SP 015 PT

Views
Connection positions
Dimensions and Weights
Installation requirements
Power supply

SP 015 PT



CONNECTION POSITIONS

2	Terminal board power supply
3	Unipotential terminal
6	Technical data plate
7	Safety thermostat

INSTALLATION REQUIREMENTS

Installations must conform to all local electrical systems, specifically minimum wire gauge required for field connection, hydraulic and ventilation codes.

DIMENSIONS AND WEIGHT

Width	481 mm
Depth	457 mm
Height	182 mm
Net Weight	12 kg

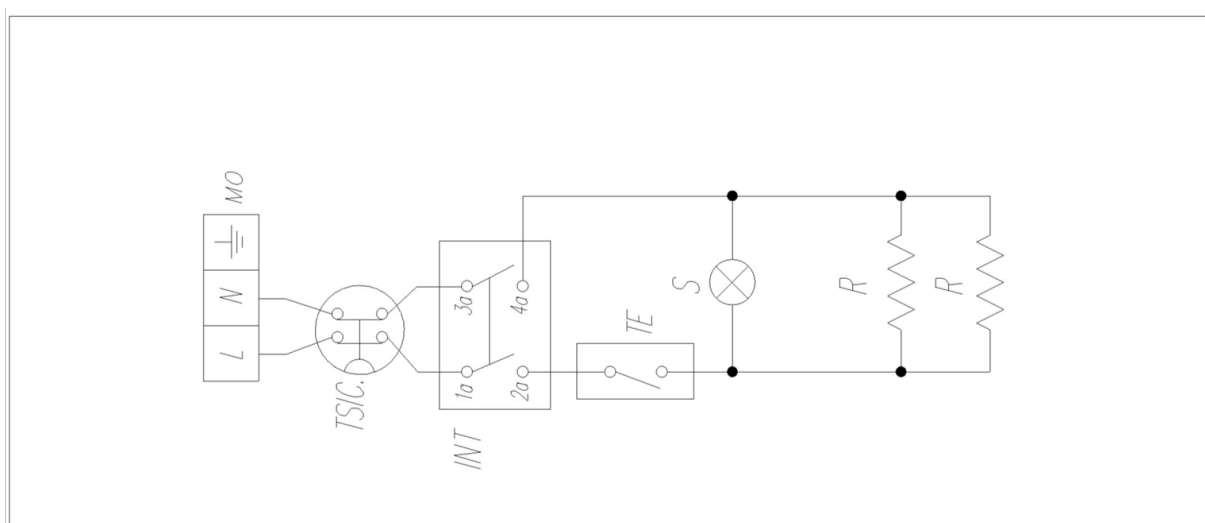
POWER SUPPLY

	STANDARD
Voltage	230 V
Phase	1PH+N+PE
Frequency	50 Hz
Power	2.8 kW
Maximum Amp Draw	12.9 A
Power cable requirement	H07RN-F
Plug	SCHUKO

SP 015 PT

Wiring diagrams

SP 015 PT



WIRING DIAGRAMS

INT	Switch
MO	Terminal board
R	Heating element
S	Pilot light
TE	Thermostat
TS	Safety thermostat