

goSensor countertop chamber vacuum packer



ACCESSORIES

Table with wheels

Liquid packing accessory for the various vacuum packer models

Non-toxic black polyethylene plates for the various vacuum packer models

Foam for the use of a core probe in vacuum packed foods

TECHNICAL FEATURES

Minimum vacuum pressure	2 mbar
Voltage	230 V/L+N/50-60 Hz
Lubricating oil	SAE 10 Food grade (ISO:32)

GENERAL SPECIFICATIONS

7-segment control panel

Removable sealing bar without connections

SOFT Gradual recovery of atmospheric pressure

STOP Possibility to block the vacuum packer for a certain amount of time or for as long as the user wishes.

Equipped with interior polyethylene plate

CLEAN oil self-cleaning mode

Self-calibrating system

Sensor-controlled vacuum

Single seal (4 mm)

EXTRA VACUUM To force air out of porous products

Made of AISI 304 18/10 stainless steel

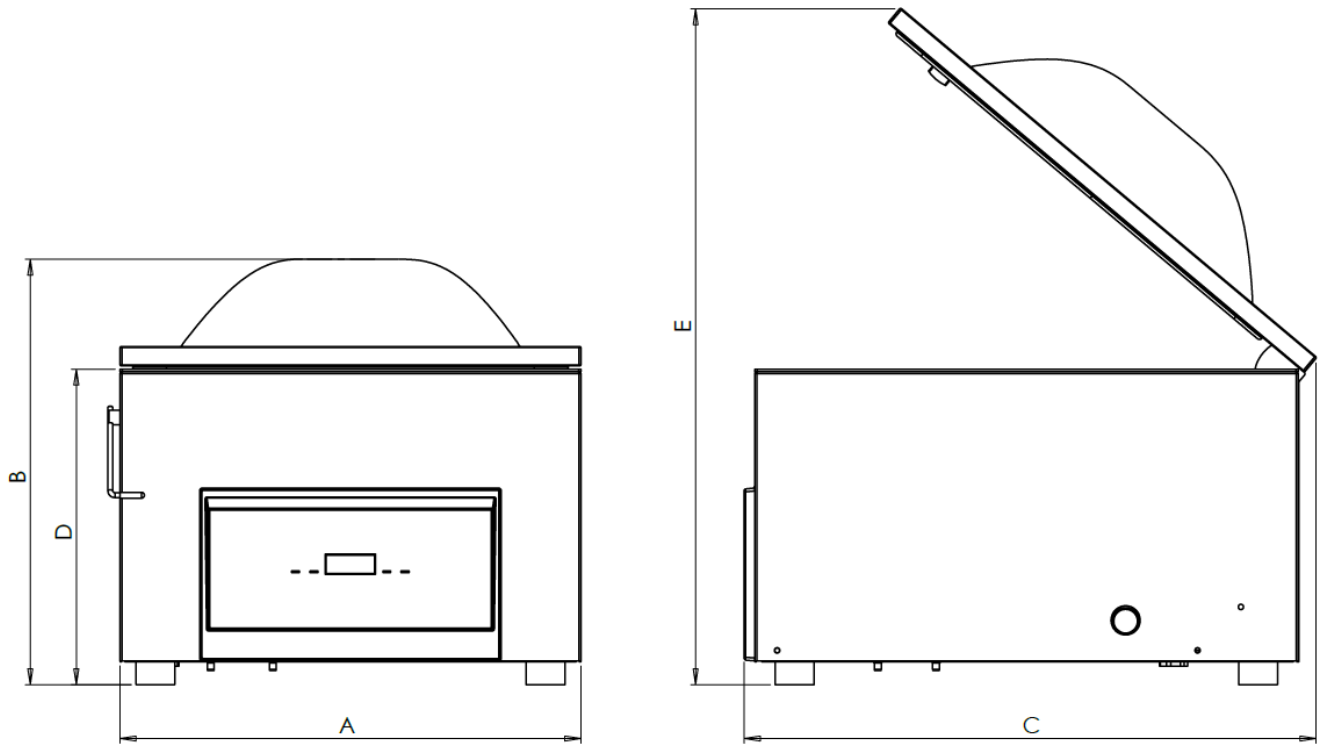
Well with rounded edges for easy cleaning

Transparent methacrylate lid to allow for a view of the food being packed

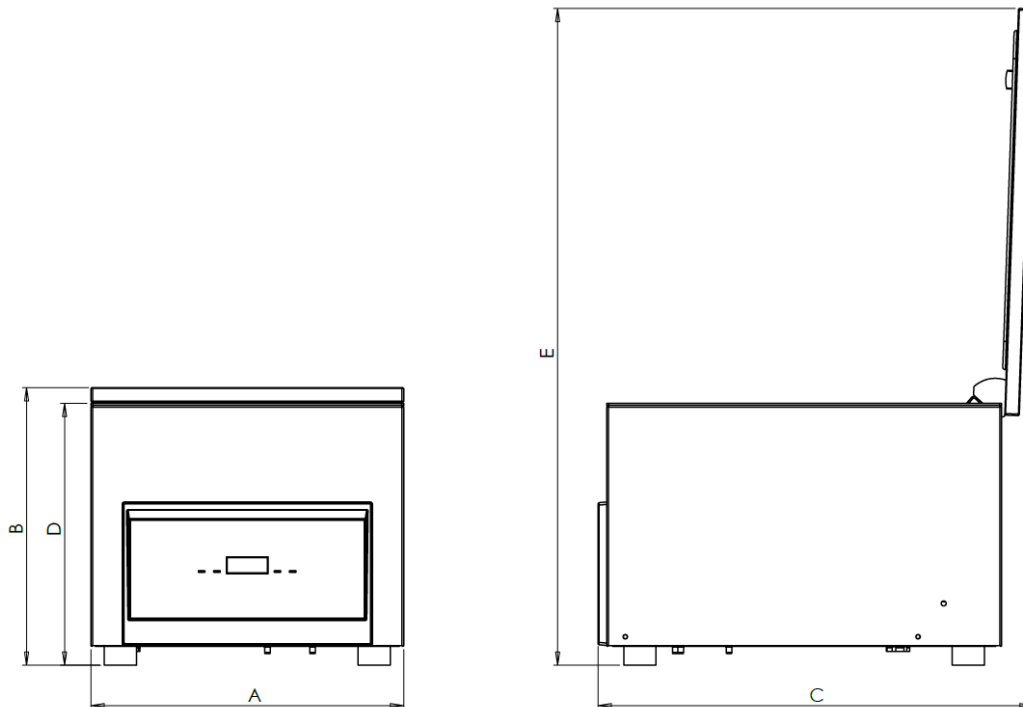
Side display for checking the oil level

Programme for packing liquids

INSTALLATION INFORMATION



Model TGS8F1E2 – manually-opening flat lid



REFERENCES	TGS8F1E2	TGS8D1E2	TGM101E2	TGM161E2	TGM201E2	TGL201E2	TGL202E2
Dimension A (mm)	388		475			620	
Dimension B (mm)	345	389	438			453	
Dimension C (mm)	540	519	589			599	
Dimension D (mm)	325						
Dimension E (mm)	815	650	696			702	

goSensor countertop models:

REFERENCES	TGS8F1E2	TGS8D1E2	TGM101E2	TGM161E2	TGM201E2	TGL201E2	TGL202E2
Interior chamber dimensions (mm)	328x385x115	328x385x162	412x453x200			560x465x210	
Pump capacity (m3/h)	8		10	16	20	20	
Approximate machine cycle (seconds)	35	40	42	30	28	40	35
Sealing bar length (mm)	315		405			455	455 + 455
Approx. weight (kg)	32	36	47	48.5	55	64	67
Approx. gross weight (kg)	39	43	54	62	64.5	76.5	78
Packaging dimensions (mm)	626x528x640		695x615x660			825x765x660	
Power (kW)	0.350	0.350	0.370	0.55	0.75	0.75	